



Catalogue :

**SERIE 900 KORE**

Chapter :

**FRYERS 900 KORE**

Article :

**F-G9221 LPG 230V 1N 50Hz 4C**

Code:

**19037047**

<u>DIMENSIONS AND WEIGHTS</u>		<u>Net dimensions</u>	<u>Packed</u>
Length	mm	<b>800,00</b>	<b>1.022,00</b>
Depth	mm	<b>930,00</b>	<b>840,00</b>
Height	mm	<b>850,00</b>	<b>1.125,00</b>
Weight	kg	<b>140,00</b>	<b>160,00</b>
Volume	m3	<b>0,72</b>	<b>0,97</b>
<u>ELECTRICITY</u>		<b>230V</b>	<b>50Hz</b>
	Power		<b>0,10 kW</b>
Connections	230 V. 1+N+T		
	230 V. III+T		
	400 V. III+N+T		
<u>GAS</u>	Power		<b>42,00 kW</b>
	Gas type	<b>LPG</b>	
	Consumption		<b>3,22 kg/h</b>
	Pressure	<b>LPG G30/G31 28-30/37 mbar</b>	
<u>WATER</u>	Not necessary		
<u>STEAM</u>	Not necessary		
<u>AIR</u>	Not necessary		

DESCRIPTION

GAS DEEP FAT FRYER, F-G9221

Fryers are designed to deep fry large amounts of product (chips, croquettes, different types of dredgings, etc.).

2 mm stainless AISI-304 steel top with rounded edges for easy cleaning.

Laser cut and automatic welding for a perfect adjustment of sides between modules with square angle finish.

Number of wells: 2.

Well capacity: 21 litres.

Standard equipment: Four 132x338x132 mm baskets.

Well integrated in the top, with cool area at the bottom. This helps to maintain oil properties and quality for a longer time.

Highly efficient heat exchanger gas tubes integrated alongside the well. Electronic ignition.

Superior power/litre rate: 1.047 kW per litre.

Thermostat for temperature control (between 60 and 200°C).

Safety thermostat.

Oil discharge through robust and reliable high temperature resistant ball tap.

Fitted with independent lids for each well.

Basket drainage support at the back of the well.

Water-tight and protecting-support controls.

High temperature protector for the chimney made of enamelled cast iron.

Front access to components.

According to European standards for components and panels temperature, efficiencies and combustion, and sanitary regulations (EN-60335 and EN-203)

IPX5 grade water protection equipment.

Maximum power: 44.0 kW - Gas

It requires an 230V - 1+N power supply.

Dimensions: 800 x 930 x 850 mm.

SOUND LEVEL < **65,00** db

CERTIFICATES **1312CS6209**

INSTALLATION - CONNECTIONS

		<u>Ø</u>
▶	ELECTRICITY	SI
▶	ELECTRICITY	SI
▶	GAS	R.3/4"G
▶	GAS	"R.3/4""G"





Catalogue :

**SERIE 900 KORE**

Chapter :

**FRYERS 900 KORE**

Article :

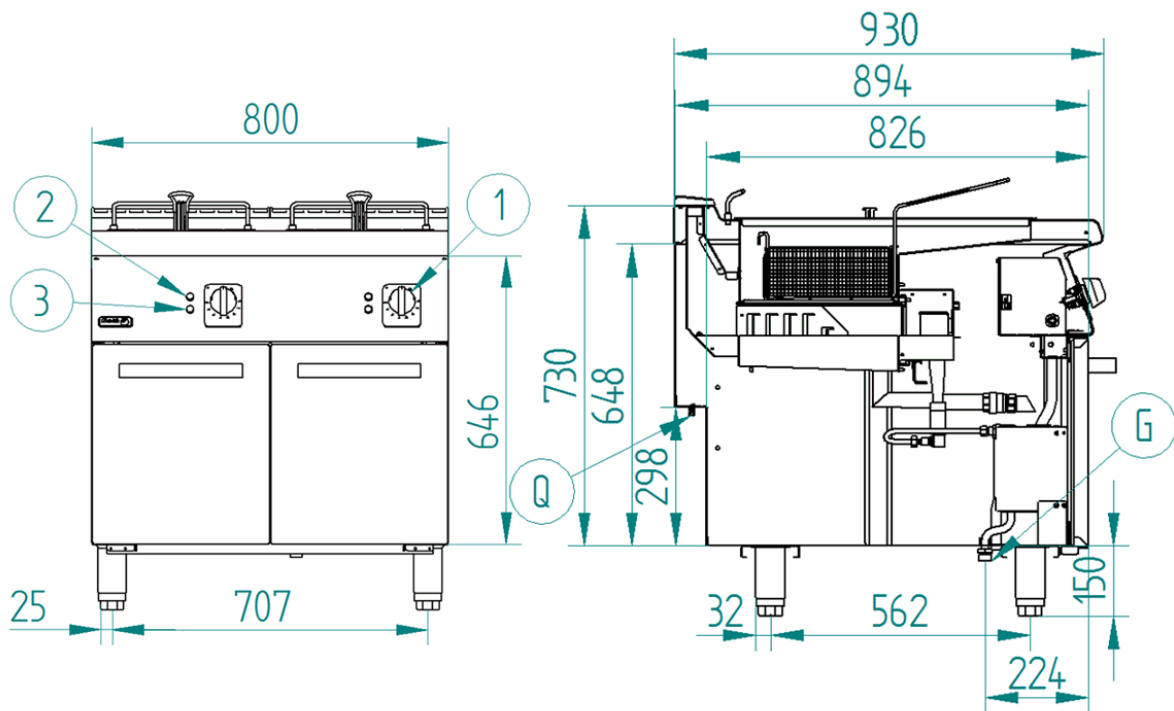
**F-G9221 LPG 230V 1N 50Hz 4C**

Code :

**19037047**

**SCHEMA - DIMENSIONS**

**F-G9215 & F-G9221**



Q – Conexión equipotencial

G – Entrada de Gas

1 – Grifo válvula de gas

2 – Piloto verde

3 – Piloto ambar

Equipotential connection

Gas Inlet

Gas valve tap

Green pilot

Ambar pilot

